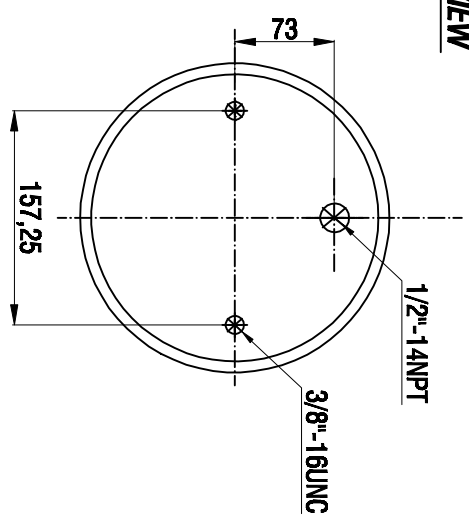
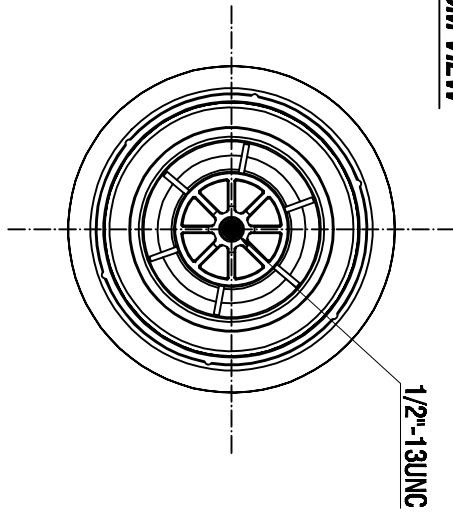


TOP VIEW



BOTTOM VIEW



Drawings are prepared for catalogue study.

<table border="1"> <tr> <td>№</td> <td>0</td> <td>Final drawing</td> <td>12.12.2012</td> <td></td> <td></td> <td></td> </tr> <tr> <td>Author</td> <td>Changes</td> <td>Date</td> <td>Drawn by</td> <td>Checked by</td> <td>Approved by</td> <td></td> </tr> </table>		№	0	Final drawing	12.12.2012				Author	Changes	Date	Drawn by	Checked by	Approved by		<table border="1"> <tr> <td>Do not send this drawing</td> <td><input checked="" type="checkbox"/> Draft</td> <td><input type="checkbox"/> Quoted steel</td> <td><input type="checkbox"/> Air lock</td> <td><input checked="" type="checkbox"/> Threaded hole</td> </tr> </table>		Do not send this drawing	<input checked="" type="checkbox"/> Draft	<input type="checkbox"/> Quoted steel	<input type="checkbox"/> Air lock	<input checked="" type="checkbox"/> Threaded hole
№	0	Final drawing	12.12.2012																			
Author	Changes	Date	Drawn by	Checked by	Approved by																	
Do not send this drawing	<input checked="" type="checkbox"/> Draft	<input type="checkbox"/> Quoted steel	<input type="checkbox"/> Air lock	<input checked="" type="checkbox"/> Threaded hole																		
PART WEIGHT: ...kg		<small>All rights of this document are the property of AIRTECH S.p.A. Reserved and copied, reproduction and further distribution is prohibited without the written permission of AIRTECH S.p.A.</small>		ORDER NO.:137192																		
PART NAME: 38852 KPP COMPLETE (AIRTECH)		