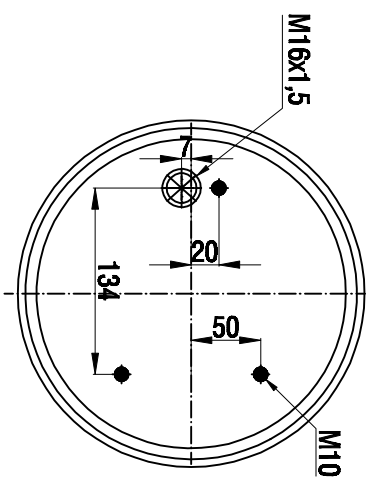
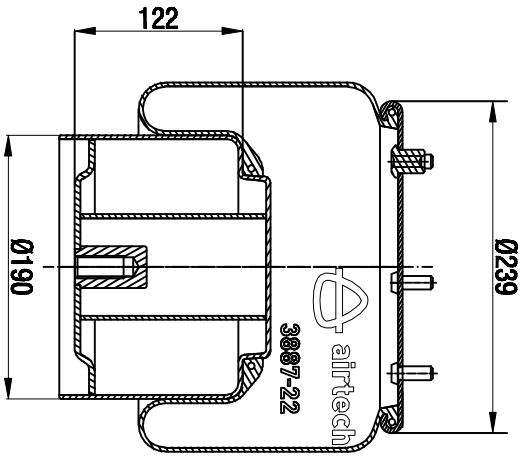
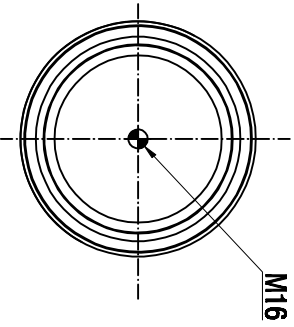


**TOP VIEW**



**BOTTOM VIEW**



Drawings are prepared for catalogue study.

Revision		Date		Drawn by		Checked by		Approved by	
0	First drawing	12.12.2012							
Issues		Changes		Date		Drawn by		Checked by	
PART		Do not write		● Bolted		⊗ Centric hole		⊗ Air hole	
WARRANTY:		file drawing		All rights reserved. No part of this publication may be reproduced, stored in a retrieval system, or transmitted, in any form or by any means, without the prior written permission of the publisher.		⊗ Threaded hole		ORDER NO:136612	
PART NAME:		3887-22 K COMPLETE (AIRTECH)							