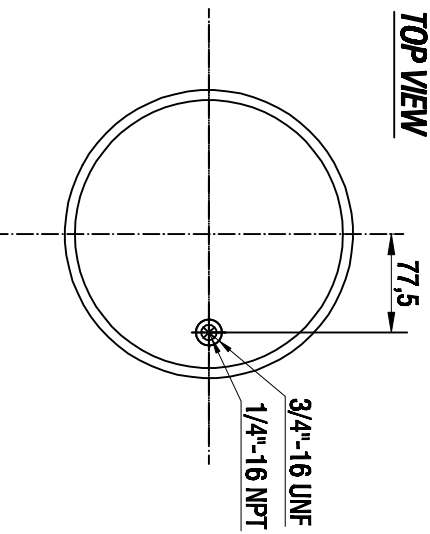
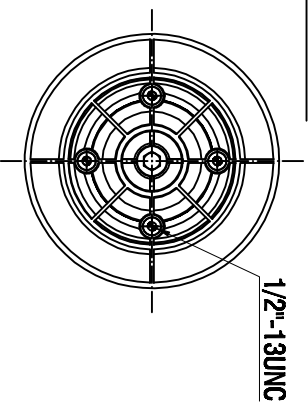


TOP VIEW



BOTTOM VIEW



Drawings are prepared for catalogue study.

Changes	Reason	Date	Drawn by	Checked by	Approved by
0	First drawing	31.05.2010			

PART WEIGHT: — Kg	Do not mark this drawing <input checked="" type="checkbox"/> Draft/Prod <input checked="" type="checkbox"/> Control seal <input checked="" type="checkbox"/> Air line <input checked="" type="checkbox"/> Threaded hole	All rights reserved by the property of AKTAS A.S. Production and export operations made possible by our part providers and various other partners and SUPPLIERS.	ORDER NO: 137092
-----------------------------	---	--	-------------------------

PART NAME: 38944 KPP COMPLETE (AIRTECH)

