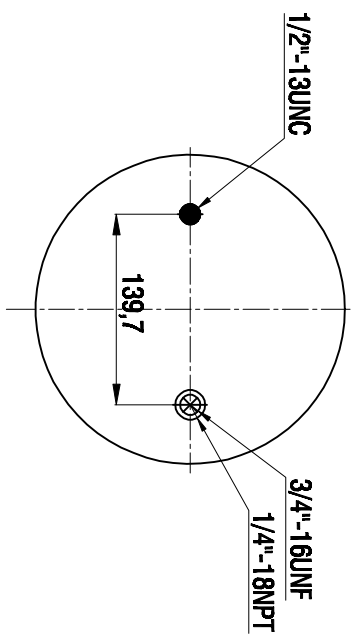
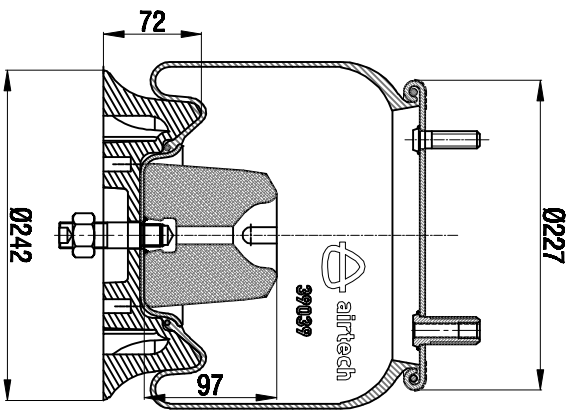
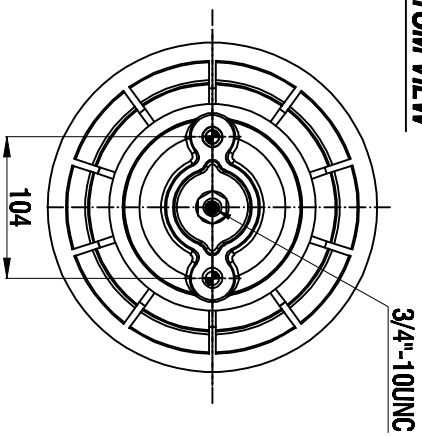


**TOP VIEW**



**BOTTOM VIEW**



Drawings are prepared for catalogue study.

REV	0	Issue	12.12.2012	Date	Drawn by	Checked by	Approved by
CHG		Changes					
DESIGN		Do not scale this drawing					
WEIGHT:							
<p>Part of the drawing is the property of AIRTECH. Reproduction and adaptation of this drawing without the prior written permission of AIRTECH is strictly prohibited.</p>							
PART NAME	39039 KPP COMPLETE (AIRTECH)						ORDER NO.: 136952