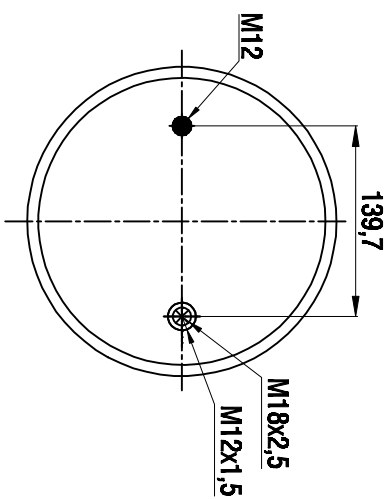
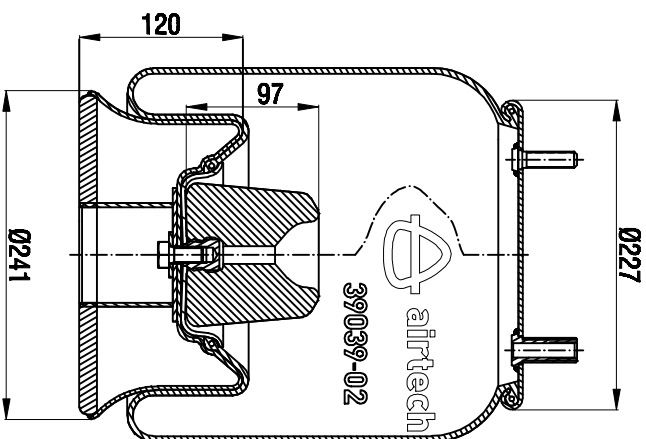
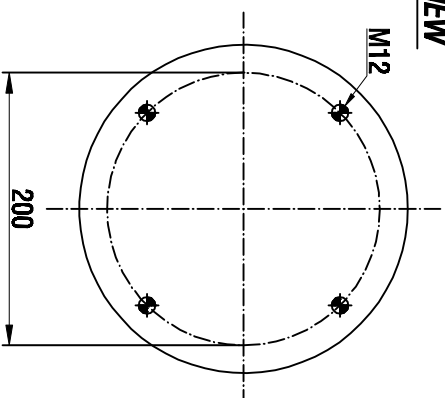


TOP VIEW



BOTTOM VIEW




Drawings are prepared for catalogue study.

Changes	Issues	Date	Drawn by	Checked by	Approved by
0	First drawing	29.09.2009			

PART WEIGHT:	Do not mark	Do not mark	Do not mark	Do not mark
	Mark drawing	Mark drawing	Mark drawing	Mark drawing

All rights reserved. No part of this publication may be reproduced, stored in a retrieval system, or transmitted, in any form or by any means, electronic, mechanical, photocopying, recording, or by any information storage and retrieval system, without the prior written permission of AIRTECH.	ORDER NO: 137342
--	------------------

PART NAME: 39039-02 K COMPLETE (AIRTECH)(095.0326)	
--	---