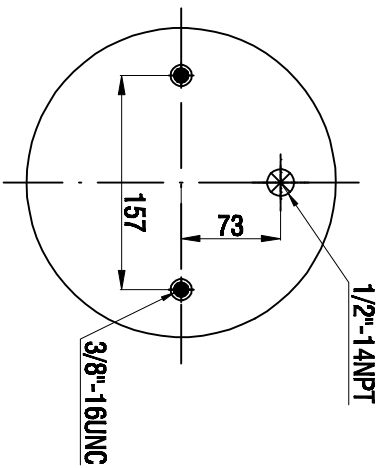
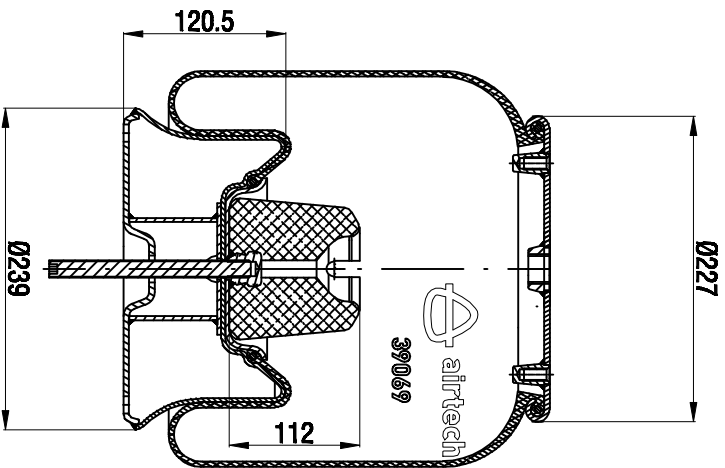
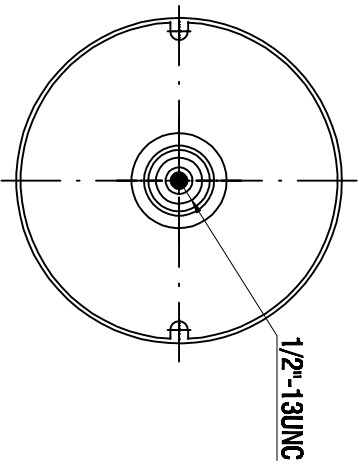


TOP VIEW



BOTTOM VIEW



Drawings are prepared for catalogue study.

1		0		First drawing		12.12.2012										
3 Issues		Changes		Date		Drawn by		Checked by		Approved by						
PART NUMBER:		Do not scale With drawing		Date/Order		Order no.		Air tech		Thruvaldi Ltd		ORDER NO:134482				
<small>All rights of this document are the property of AIRTECH & AIRTECH LTD and any reproduction without written permission is strictly prohibited. Where necessary please refer to the AIRTECH website for further details.</small>													PART NAME: 39069 K COMPLETE (AIRTECH)			