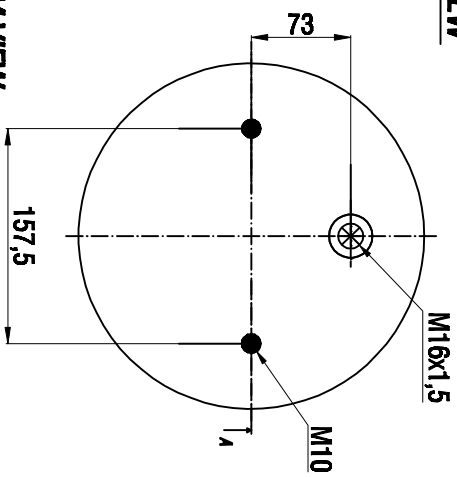
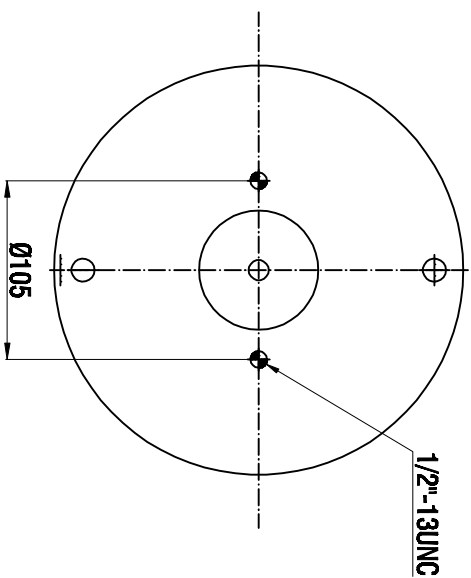



TOP VIEW



BOTTOM VIEW



Drawings are prepared for catalogue study.

REV	0	First drawing	12.12.2012				
DESIGN	0	Changes	Date	Drawn by	Checked by	Approved by	
PART	Do not make this drawing						
WEIGHT:	<input checked="" type="checkbox"/> Drafted <input checked="" type="checkbox"/> Checked steel <input checked="" type="checkbox"/> Air lock <input checked="" type="checkbox"/> Threaded hole						
<small>All rights of this document are the property of AIRTECH S.A. It is forbidden to reproduce, copy, disseminate, or use in any way without the prior written permission of AIRTECH S.A.</small>							
PART NAME:	3909-01 K COMPLETE (AIRTECH)						 aktas
	ORDER NO:136322						