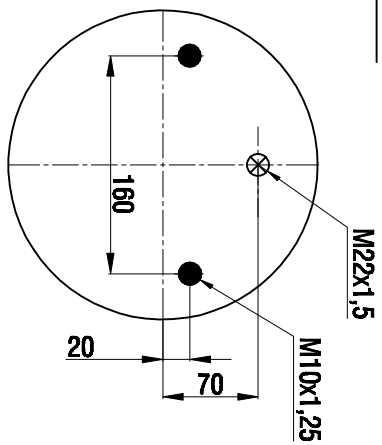
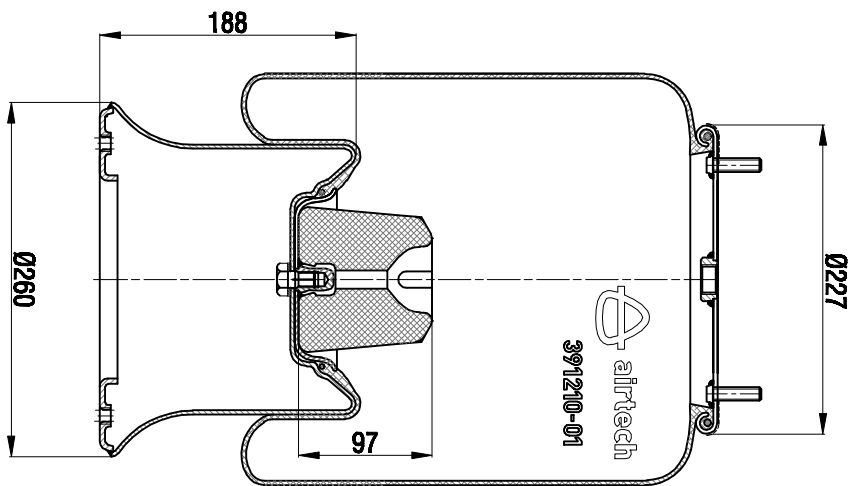
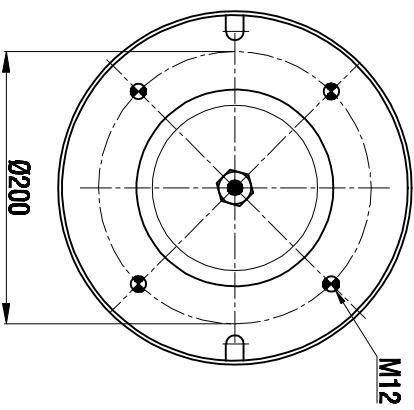


TOP VIEW



BOTTOM VIEW



Drawings are prepared for catalogue study.

0		First drawing		12.12.2012							
5		Changes		Date		Drawn by		Checked by		Approved by	
PART WEIGHT: ~Kg		Do not make this drawing		<input checked="" type="checkbox"/> Subtotal <input checked="" type="checkbox"/> Change sheet <input checked="" type="checkbox"/> Air lock <input checked="" type="checkbox"/> Threaded hole							
<small>All rights of this document are the property of AIRTECH S.A. No part of this document may be reproduced without the prior written permission of AIRTECH S.A.</small>										ORDER NO:134422	
PART NAME: 391210-01 K COMPLETE (AIRTECH)											