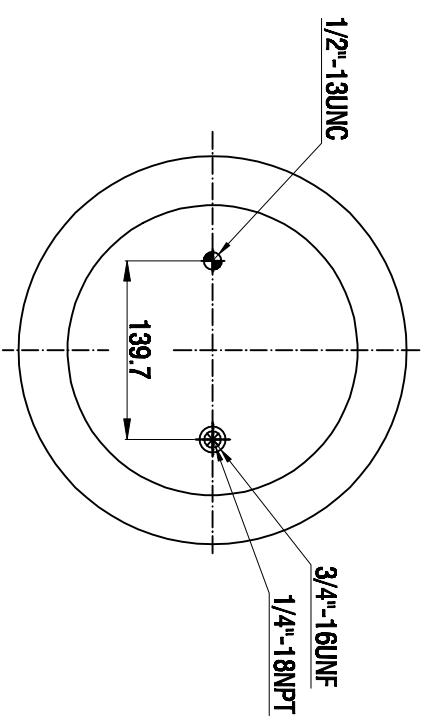
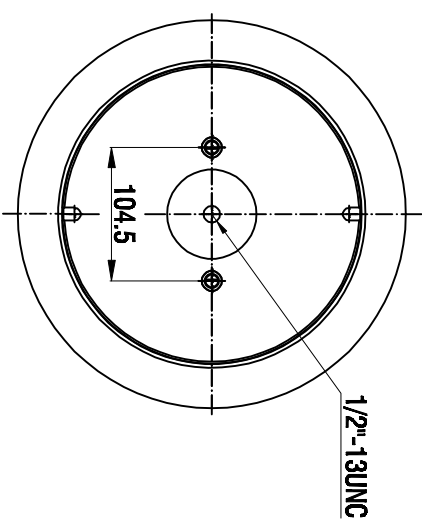


TOP VIEW



BOTTOM VIEW



Drawings are prepared for catalogue study.

0	First drawing	12.12.2012			
1	Changes		Drawn by	Checked by	Approved by
P/INT: Do not reach this drawing W/EBHT: <input checked="" type="checkbox"/> Bal/Stat <input checked="" type="checkbox"/> Cambo steel <input checked="" type="checkbox"/> Air line <input checked="" type="checkbox"/> Threaded hole		All rights of this document are the property of AIRTECH S.A. It is not allowed to reproduce, copy, distribute, sell, rent, lease, or otherwise use this document without the prior written permission of AIRTECH S.A.			
PART NAME: 39294 K COMPLETE (AIRTECH)		ORDER NO: 135262			