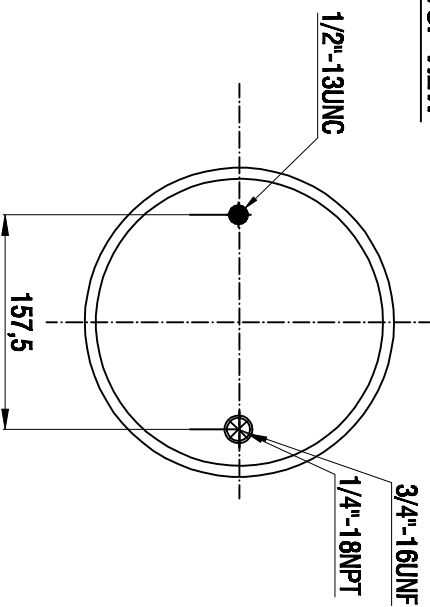
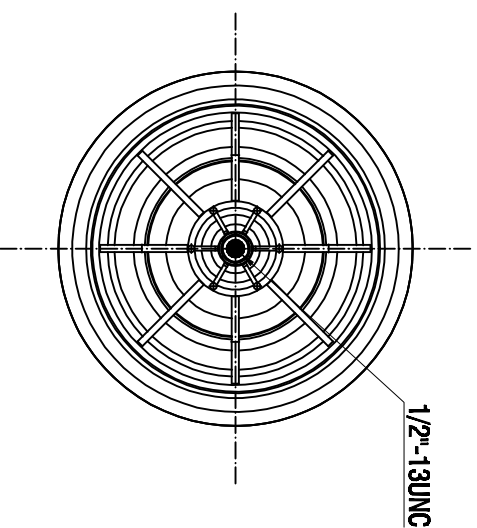


**TOP VIEW**



**BOTTOM VIEW**



Drawings are prepared for catalogue study.

<table border="1"> <tr> <td>Issue</td> <td>0</td> <td>First drawing</td> <td>12.12.2012</td> <td></td> <td></td> <td></td> <td></td> </tr> <tr> <td>Changes</td> <td></td> <td></td> <td></td> <td></td> <td></td> <td></td> <td></td> </tr> </table>		Issue	0	First drawing	12.12.2012					Changes								<table border="1"> <tr> <td>Do not scale this drawing</td> <td> <input checked="" type="checkbox"/> Bulk/Std  <input checked="" type="checkbox"/> Combo steel  <input checked="" type="checkbox"/> Air tank         </td> <td> <input checked="" type="checkbox"/> Threaded hole         </td> </tr> </table>		Do not scale this drawing	<input checked="" type="checkbox"/> Bulk/Std <input checked="" type="checkbox"/> Combo steel <input checked="" type="checkbox"/> Air tank	<input checked="" type="checkbox"/> Threaded hole
Issue	0	First drawing	12.12.2012																			
Changes																						
Do not scale this drawing	<input checked="" type="checkbox"/> Bulk/Std <input checked="" type="checkbox"/> Combo steel <input checked="" type="checkbox"/> Air tank	<input checked="" type="checkbox"/> Threaded hole																				
<p>At risk of the drawing and the property of AIRTECH, from this and other documents, goods made by independent contractors, without the permission of AIRTECH.</p>		<p>ORDER NO.: 137122</p>																				
<p>PART NAME: 39370 KPP COMPLETE (AIRTECH)</p>																						