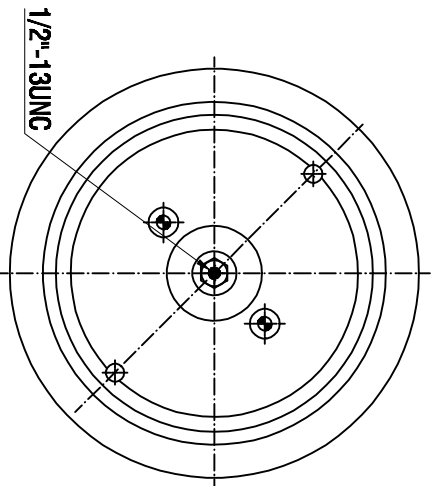


BOTTOM VIEW



Drawings are prepared for catalogue study.

| | | | | | | | |
|--|---------------------------|---|----------|------------|-------------|------------------|--|
| 1 | | | | | | | |
| 0 | Final drawing | 12.12.2012 | | | | | |
| 3 Issues | Changes | Date | Drawn by | Checked by | Approved by | | |
| PART WEIGHT: ...kg | Do not scale this drawing | <input checked="" type="checkbox"/> Back/End <input checked="" type="checkbox"/> Outside view <input checked="" type="checkbox"/> Air risk <input checked="" type="checkbox"/> Threaded hole | | | | | |
| <small>All rights of this document are the property of AIRTECH S.p.A. and all other rights reserved. All other rights reserved by AIRTECH S.p.A.</small> | | | | | | ORDER NO.:136362 | |
| PART NAME: 39373-01 K COMPLETE (AIRTECH) | | | | | | | |