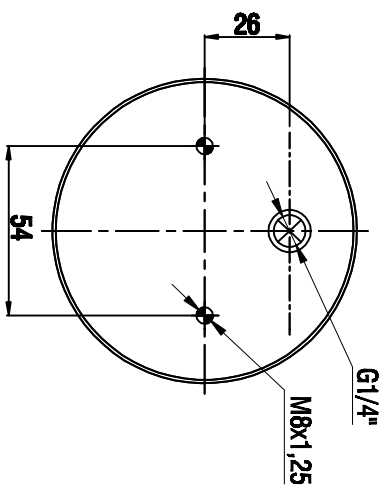
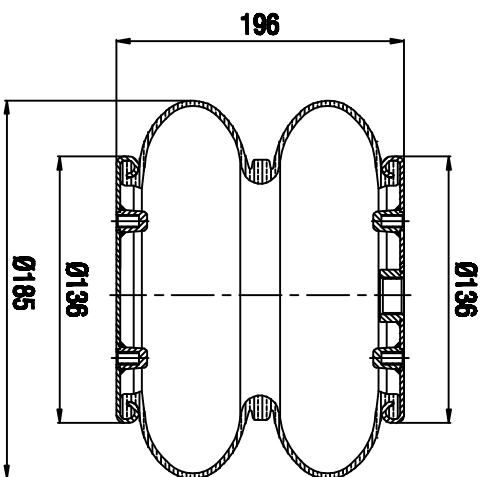
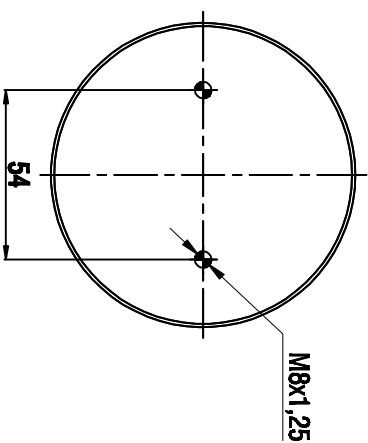


TOP VIEW



BOTTOM VIEW



Drawings are prepared for catalogue study.

1								
0	First drawing	20.05.2014						
1	Changes		Drawn by	Checked by	Approved by			
PART WEIGHT:		<input type="checkbox"/> Solid/Steel <input checked="" type="checkbox"/> Composite steel <input checked="" type="checkbox"/> Air/Alu <input checked="" type="checkbox"/> Threaded hole						
PART NAME:		A2 185/K01 Metall Kadi Koruk(Alraech)					ORDER NO:140524	
Kg								