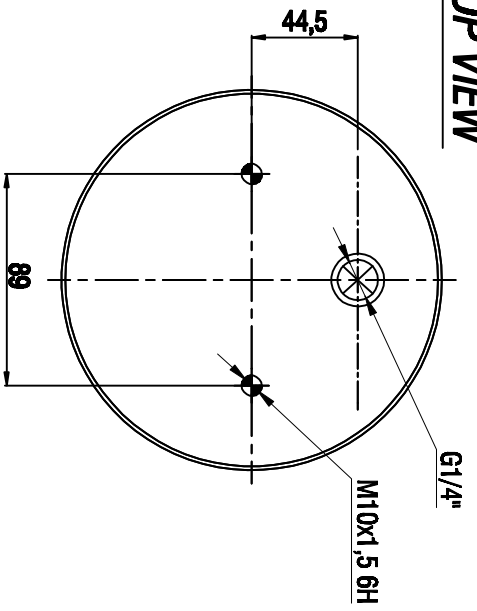
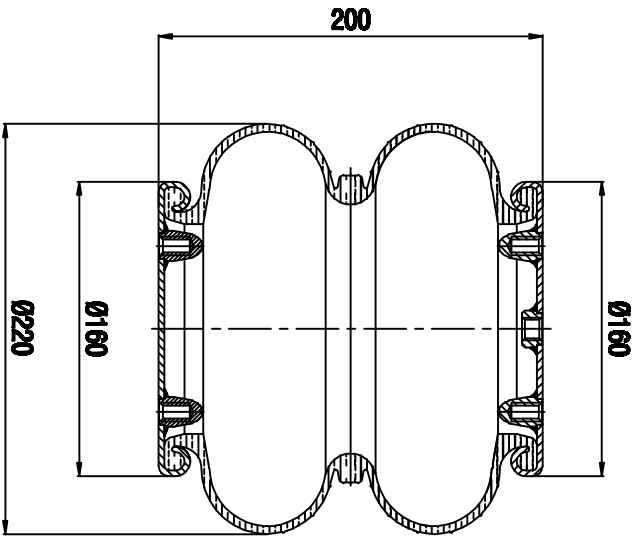
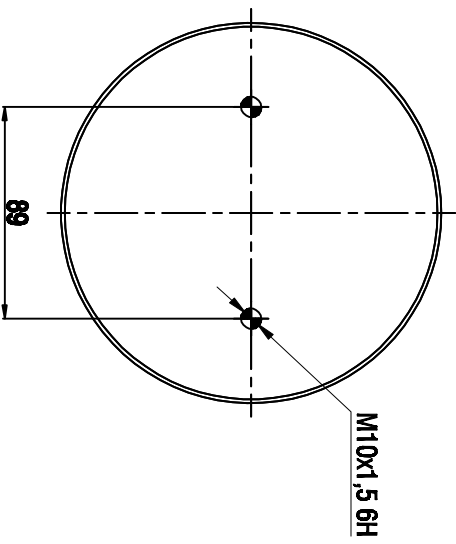


TOP VIEW



BOTTOM VIEW



Drawings are prepared for catalogue study.

1					
0		First drawing		20.05.2014	
Changes		Date		Drawn by	
PART WEIGHT:		Kg		Checked by	
De and made		Main drawing		Approved by	
● Solid/rod		⊗ Combo steel		⊗ Air neck	
				⊕ Threaded hole	
<small>All rights of this document are the property of AKTAS. It is forbidden to reproduce, distribute, or use this document without the written permission of AKTAS.</small>					
PART NAME: A2 220/K01 Metallik Kadi Korduk (Alınacı)				ORDER NO: 140538	
				