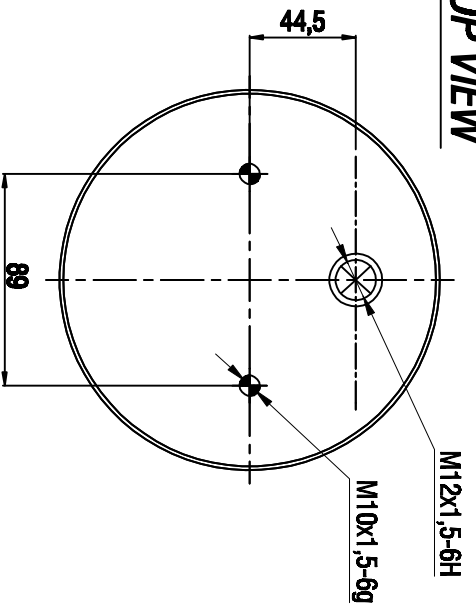


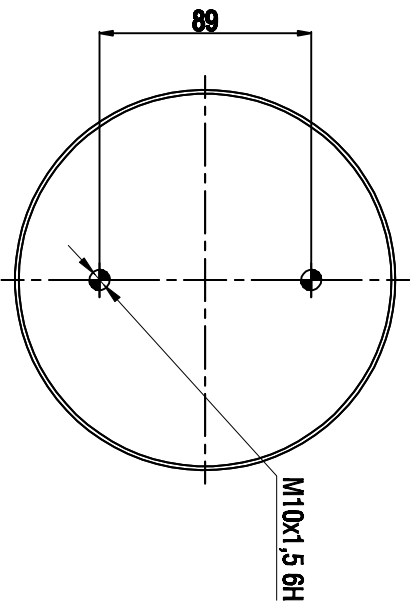
**TOP VIEW**



M12x1,5-6H

M10x1,5-6g

**BOTTOM VIEW**



M10x1,5-6H

Drawings are prepared for catalogue study.

|              |               |  |          |   |             |                 |  |
|--------------|---------------|--|----------|---|-------------|-----------------|--|
| 1            |               |  |          |   |             |                 |  |
| 0            | First drawing | 20.05.2014   |          |   |             |                 |  |
| 1            | Changes       |  | Drawn by | Checked by  | Approved by |                 |  |
| PART WEIGHT: |               | <input type="checkbox"/> Solid<br><input checked="" type="checkbox"/> Casted metal<br><input type="checkbox"/> Air ink<br><input type="checkbox"/> Threaded hole |          | <small>All rights of this document are the property of AKTAS. It is forbidden to use, copy, reproduce, distribute, sell, rent, lease, loan, or otherwise disclose this document to third parties without the written permission of AKTAS.</small> |             | ORDER NO:140539 |  |
| PART NAME:   |               | A2 220/K02 Metallik Kadi Korduk (Alınacı)  |          |   |             |                 |  |