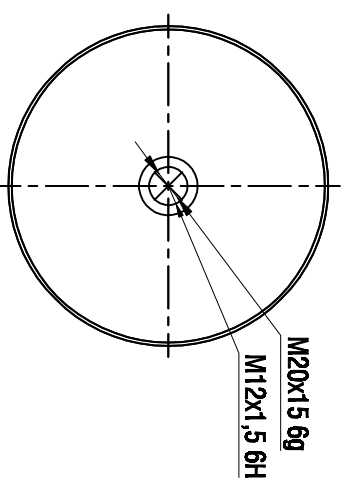
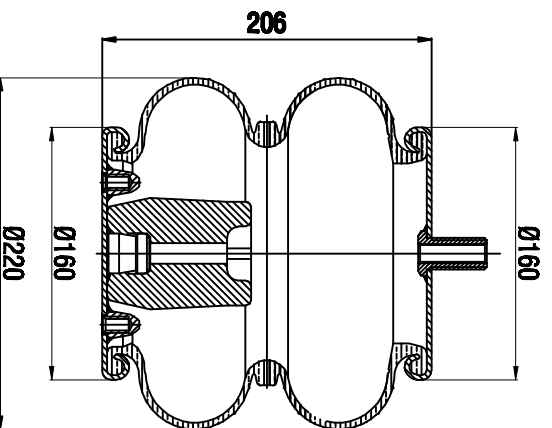
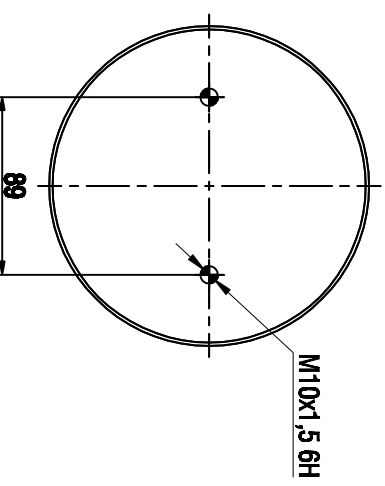


### TOP VIEW



### BOTTOM VIEW



Drawings are prepared for catalogue study.

1					
0		First drawing		20.05.2014	
1		Changes		Date	
PART		De and made		Date	
WEIGHT:		Main drawing		Drawn by	
-Kg		● Solid/and		Checked by	
		⊗ Combo steel		Approved by	
		⊗ Air tank		Threaded hole	
		<small>All rights of this document are the property of AKTAS. It is forbidden to use, copy, reproduce, modify, publish, copy, or to be used for any other purpose without the written permission of AKTAS.</small>		ORDER NO:140545	
PART NAME:		A2 220/K08 Metall Kadi Koruk(Altresch)		