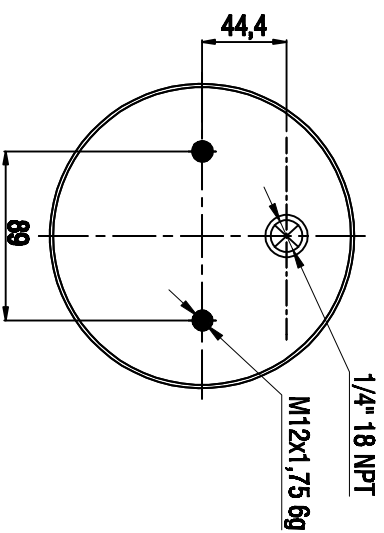
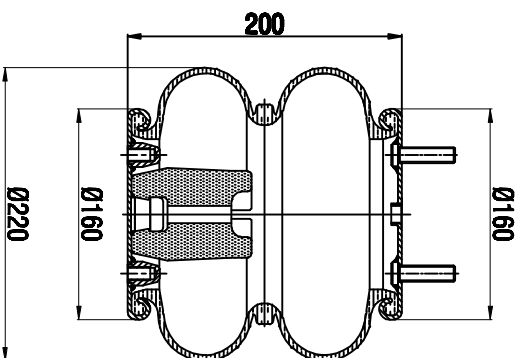
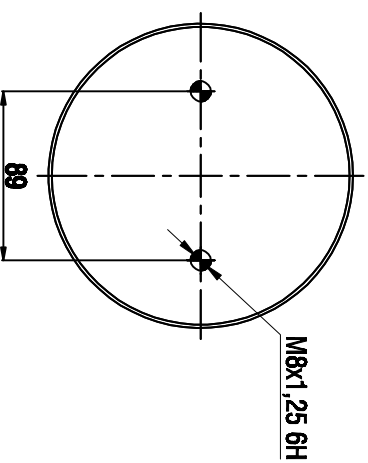


TOP VIEW



BOTTOM VIEW



Drawings are prepared for catalogue study.

1					
0	First drawing	20.05.2014			
1	Changes	Date	Drawn by	Checked by	Approved by
PART WEIGHT:		<input checked="" type="checkbox"/> Solid <input type="checkbox"/> Combo steel <input type="checkbox"/> Air ink		<input type="checkbox"/> Threaded hole	
PART NAME:		A2 220/K15 Metal Kati Koruk(Arsoch)			ORDER NO:140552
Kg					

All rights of this document are the property of AKTAS. It is forbidden to use, copy, reproduce, modify, distribute, or otherwise disseminate this document without the prior written permission of AKTAS.