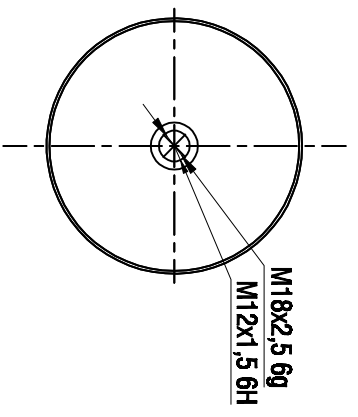
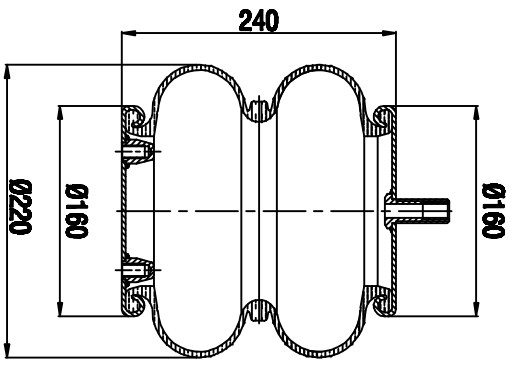
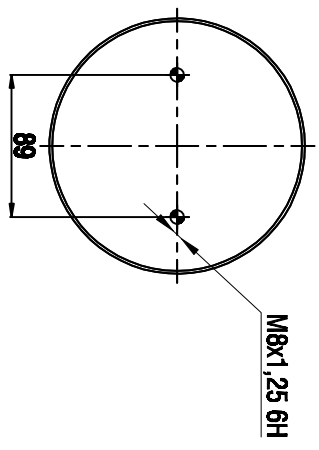


TOP VIEW



BOTTOM VIEW



Drawings are prepared for catalogue study.

1					
0		First drawing		20.05.2014	
PAKT		Changes		Date	
WEIGHT:		Do not scale this drawing		<input checked="" type="checkbox"/> Solid <input checked="" type="checkbox"/> Hidden <input checked="" type="checkbox"/> Section <input checked="" type="checkbox"/> Air view <input checked="" type="checkbox"/> Threaded hole	
-Kg		PAKT		Checked by	
PART NAME:		A2 225/30-K01 Metall Kati Kor(Airtech)		Approved by	
		ORDER NO:140583			

