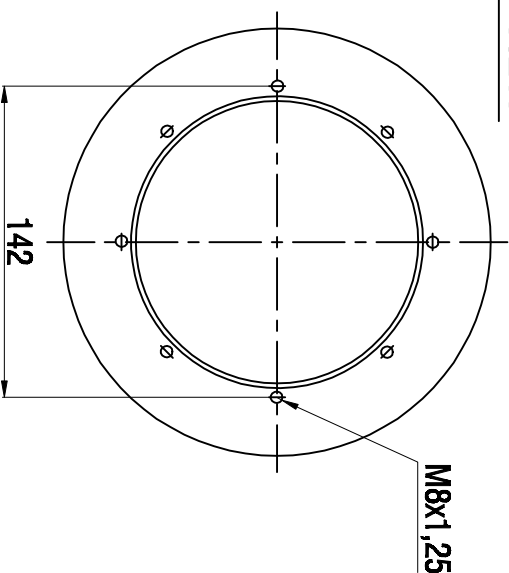
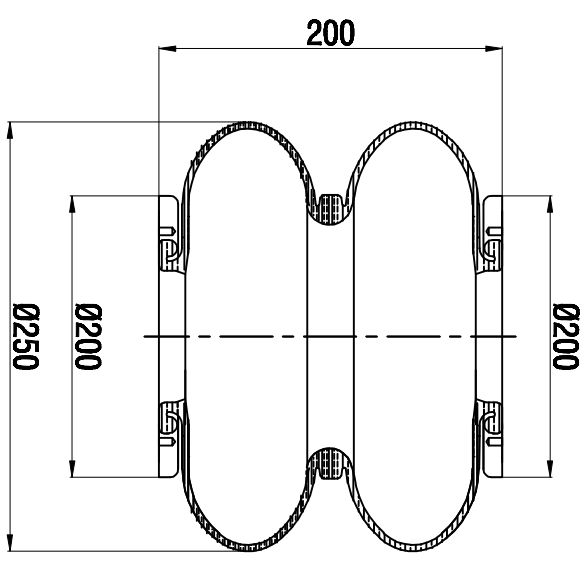
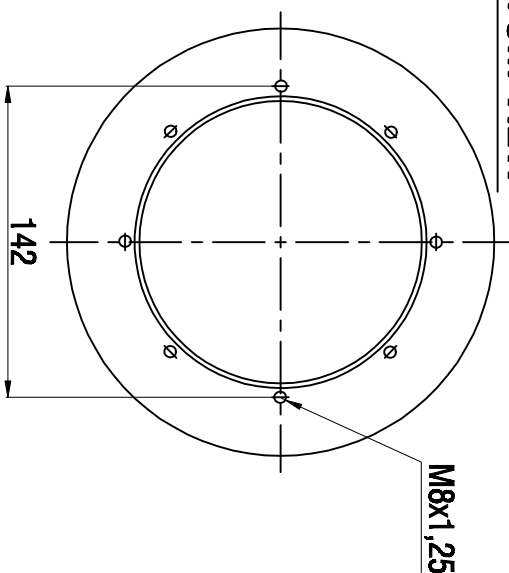


TOP VIEW



BOTTOM VIEW



Drawings are prepared for catalogue study.

1					
0	First drawing	20.05.2014			
1	Changes		Drawn by	Checked by	Approved by
PART		Do not write	<input checked="" type="checkbox"/> Solid/rod	<input checked="" type="checkbox"/> Combo steel	<input checked="" type="checkbox"/> Air hole
WEIGHT:		Min drawing	<small>All types of this element can be prepared in 12 different materials and special requirements can be made by changing the material which values provided in 02/2014.</small>		
-Kg			ORDER NO:140590		
PART NAME:		A2 250/K01 Hyd Metal Kati Kuruk(Antacı)			