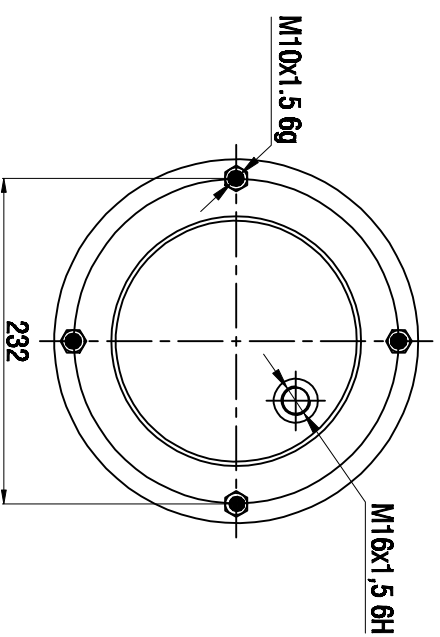
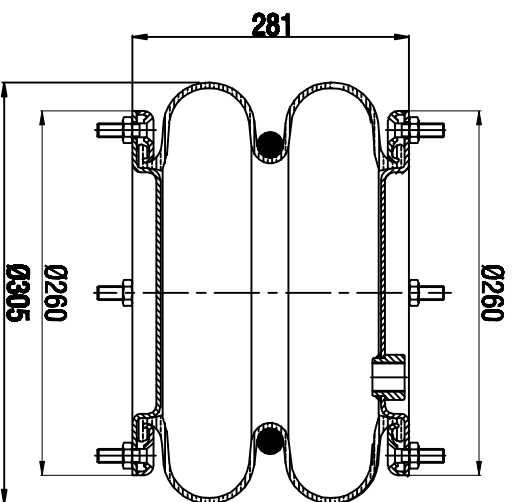
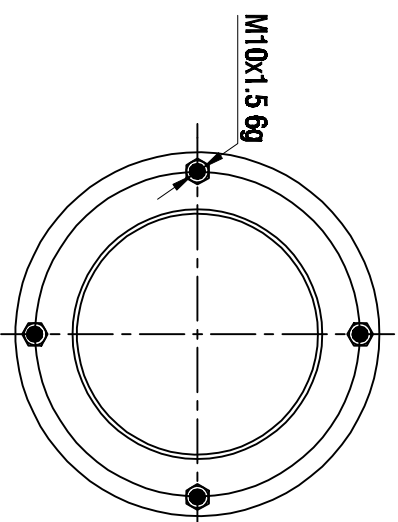


TOP VIEW



BOTTOM VIEW



Drawings are prepared for catalogue study.

1					
0	First drawing	26.05.2014			
1	Changes		Drawn by	Checked by	Approved by
De and made this drawing PAFT: <input checked="" type="checkbox"/> Solid/rod <input checked="" type="checkbox"/> Combo steel <input checked="" type="checkbox"/> Air valve <input checked="" type="checkbox"/> Threaded hole WERHIT: <input type="checkbox"/>		All rights of this document are the property of METALIM S.p.A. and reserved. Reproduction and further distribution is prohibited without written permission of METALIM S.p.A.			
PART NAME: A2 300/50-K01 Metallik Kati K(Alnsch)		ORDER NO.: 140631			
WEIGHT: —Kg		