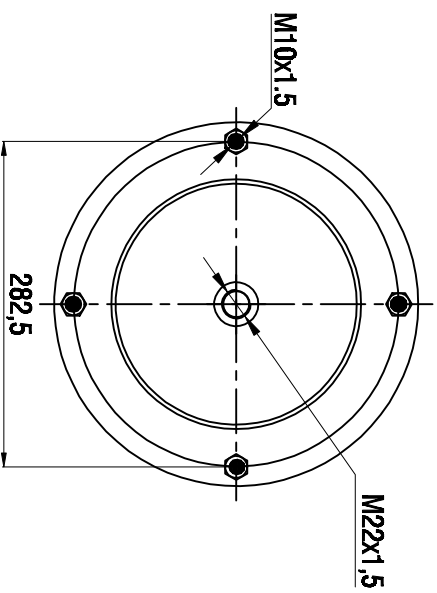
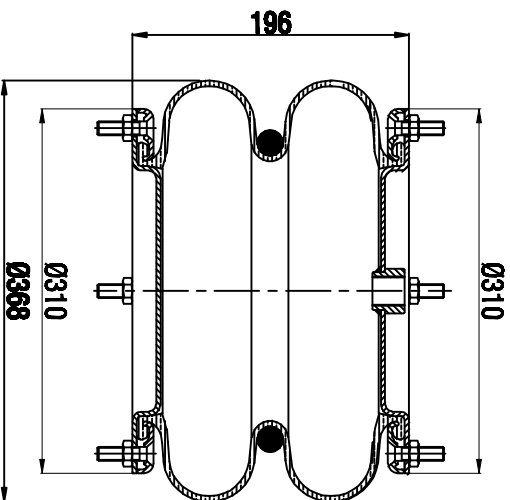
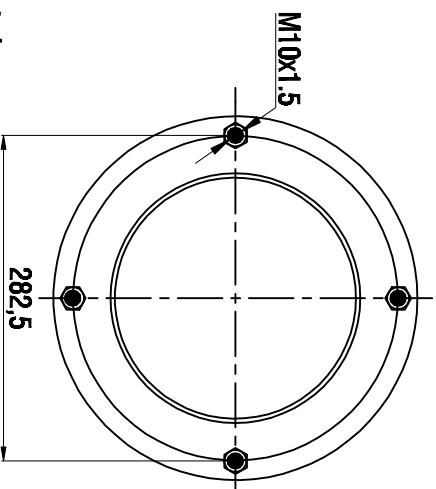


**TOP VIEW**



**BOTTOM VIEW**



Drawings are prepared for catalogue study.

1					
0		First drawing		26.05.2014	
1		Changes		Date	
PAFT		De and made		● Solid/rod	
WEIGHT:		Main drawing		⊗ Combo steel	
Kg				⊗ Air vent	
				⊕ Threaded hole	
<small>All items of this document are the property of AKTAS. It is forbidden to use them without the written permission of AKTAS.</small>					
PART NAME:		A2 370/K03 Metall Kallı Korduk (Altrech)		ORDER NO: 140662	