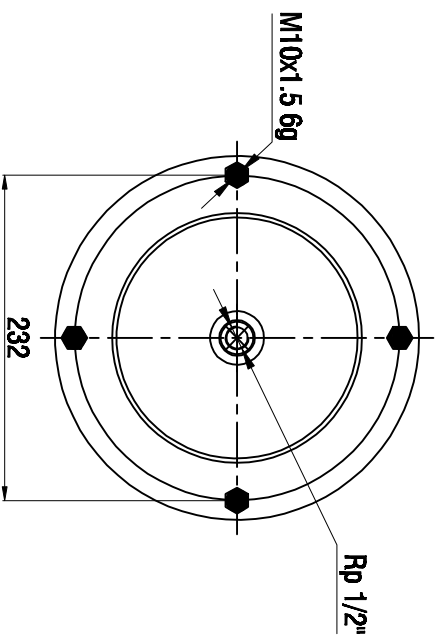
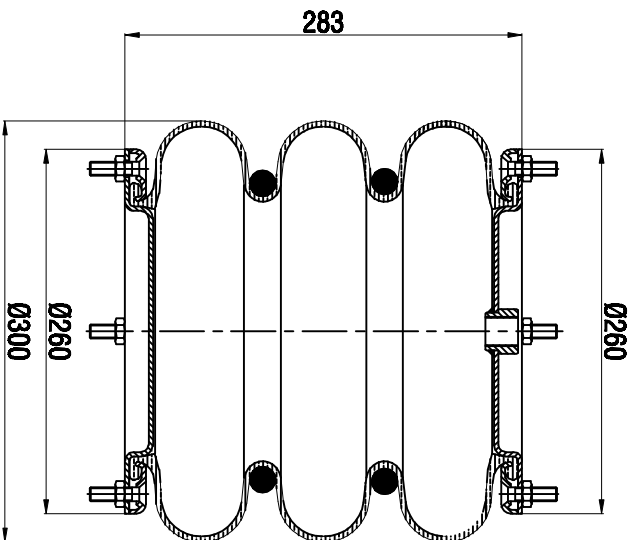
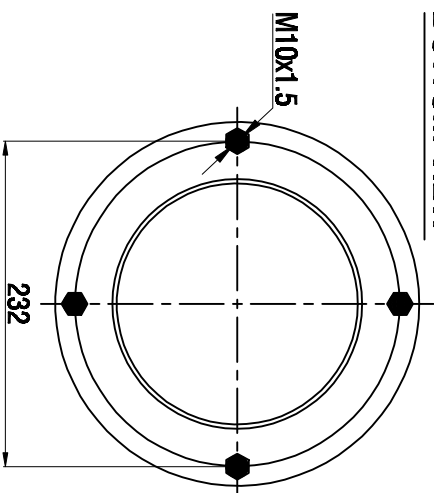



**TOP VIEW**



**BOTTOM VIEW**



Drawings are prepared for catalogue study.

|            |  |                                       |                 |             |   |                  |
|------------|--|---------------------------------------|-----------------|-------------|---|------------------|
| 1          |  |                                       |                 |             |   |                  |
| 0          | First drawing  | 26.05.2014                            |                 |             |   |                  |
| PAKT       | Changes  | Date                                  | Drawn by        | Checked by  | Approved by   |                  |
| WEIGHT:    | De and made<br>Main drawing  | ● Solid/rod                           | ⊗ Chamfer steel | ⊗ Air valve | ⊕ Threaded hole   |                  |
| —Kg        | <small>All items of this document are the property of AKTAS. It is forbidden to reproduce, copy, disseminate, or use them without the prior written permission of AKTAS.</small> |                                       |                 |             |   | ORDER NO: 140693 |
| PART NAME: |  | A3 300/K01 Metall Kati Koruk(Altrech) |                 |             |  |                  |