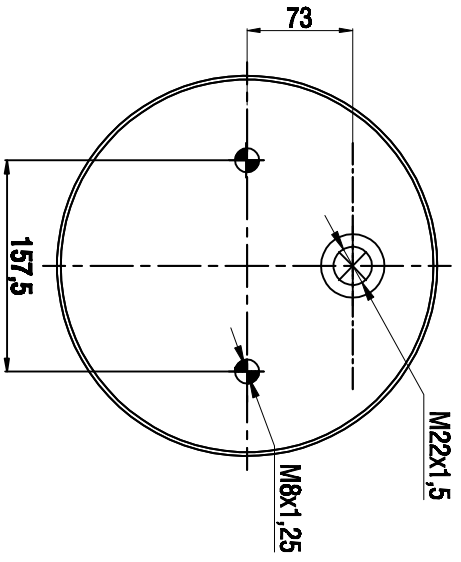
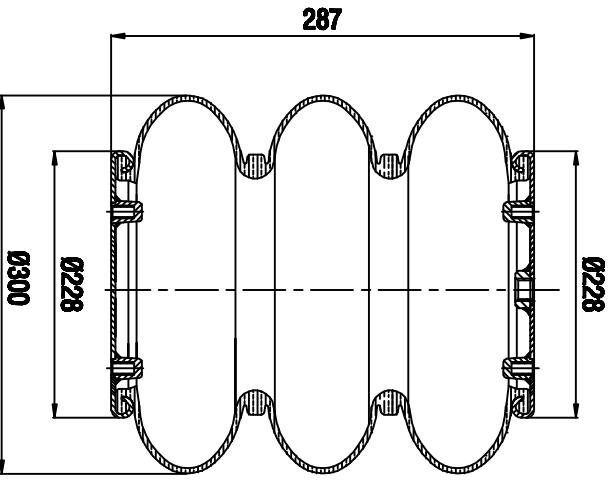
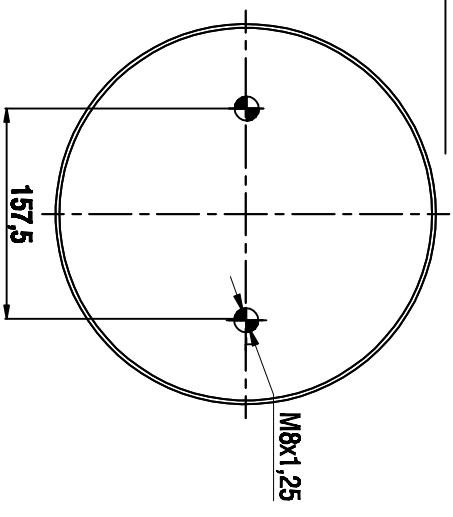



**TOP VIEW**



**BOTTOM VIEW**



Drawings are prepared for catalogue study.

|            |               |  |         |          |                  |
|------------|---------------|--|---------|----------|------------------|
| 1          |               |  |         |          |                  |
| 0          | First drawing | 20.05.2014   |         |          |                  |
| PART       |               | Changes  | Date    | Drawn by | Checked by       |
| WEIGHT:    |               | Do not scale this drawing  | ● Solid | ⊗ Hidden | ⊗ Air view       |
| _Kg        |               | All rights of this document are the property of AKTAS. It is not to be used, reproduced, stored, modified, copied, or distributed without the prior written permission of AKTAS. |         |          |                  |
| PART NAME: |               | A3 300/K06 Metall Kati Koruk(Altrech)  |         |          | ORDER NO.:140698 |
|            |               |   |         |          |                  |