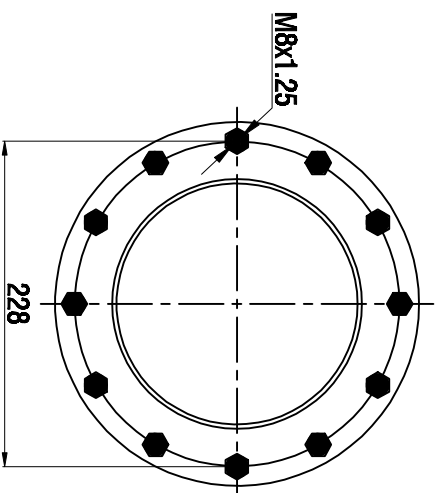
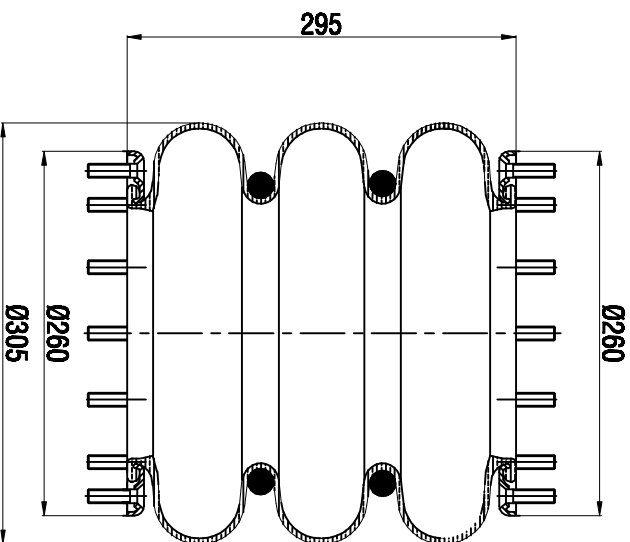
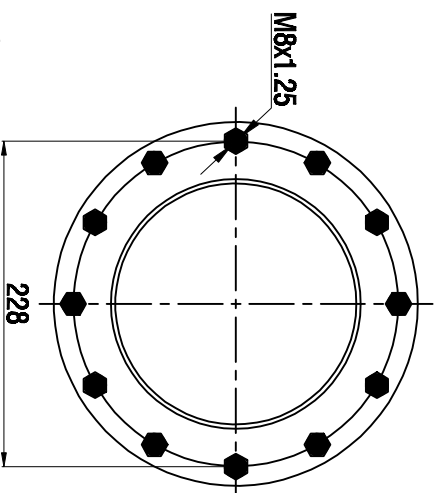


TOP VIEW



BOTTOM VIEW



Drawings are prepared for catalogue study.

1					
0		First drawing		26.05.2014	
1		Changes		Date	
PART		De and made		● Solid/rod	
WEIGHT:		Main drawing		⊗ Counter stud	
_Kg				⊗ Air lock	
				⊕ Threaded hole	
<small>All rights of this document are the property of AKTAS. It is forbidden to use, copy, reproduce, modify, publish, prepare derivative works, or disseminate information in any form or by any means without the prior written permission of AKTAS.</small>					
PART NAME:		A3 300/K01 Hyd Metall Kadi Koruk(Airtecth)		ORDER NO: 140708	
				