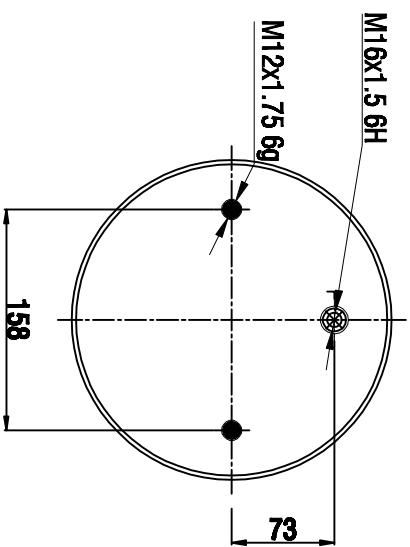
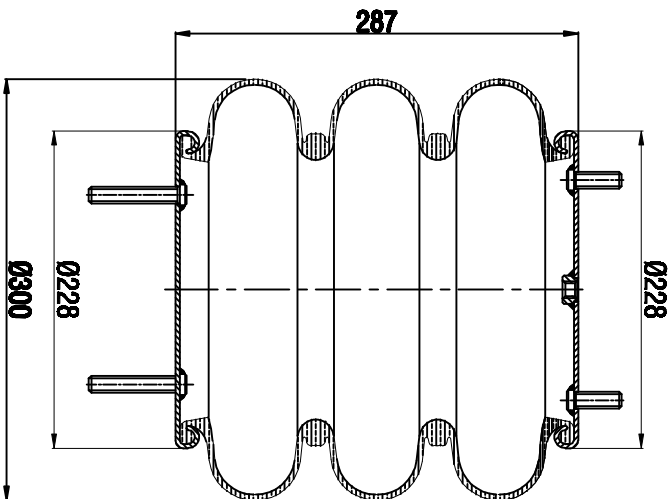
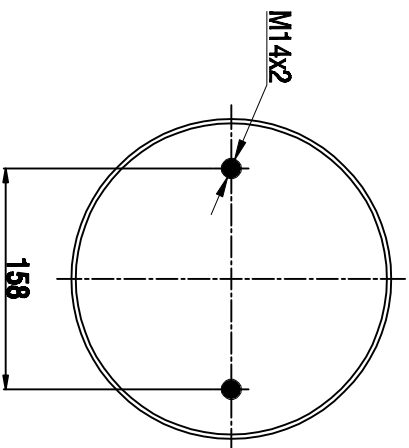


TOP VIEW



BOTTOM VIEW



Drawings are prepared for catalogue study.

1					
0	First drawing	26.05.2014			
PART		Changes		Date	
WEIGHT:		Do not make this drawing		<input checked="" type="checkbox"/> Solid <input checked="" type="checkbox"/> Hidden <input checked="" type="checkbox"/> Section <input checked="" type="checkbox"/> Air view <input checked="" type="checkbox"/> Threaded hole	
PART NAME:		A3 300/K03 Hyd Metall Kadi K(Airtech)		ORDER NO:140710	
Kg					