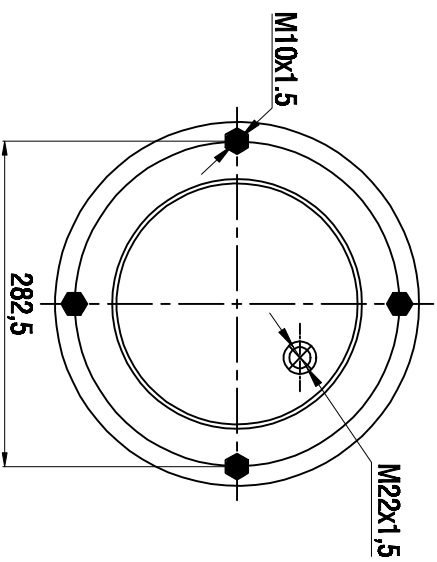
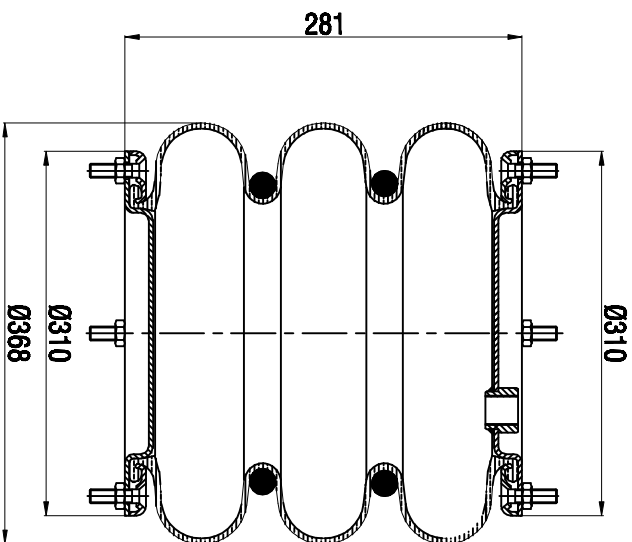
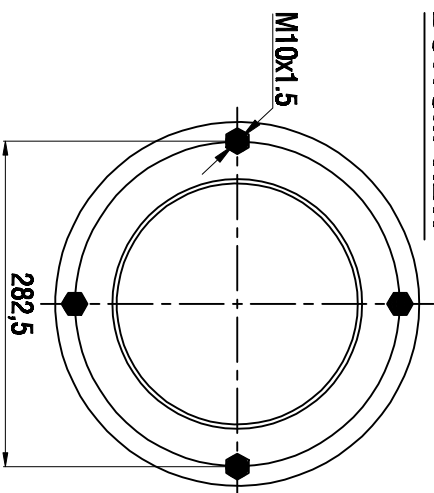



**TOP VIEW**



**BOTTOM VIEW**



Drawings are prepared for catalogue study.

REV	0	First drawing	26.05.2014			
PAKT	0	Changes		Drawn by	Checked by	Approved by
WEIGHT:		De and made Main drawing		● Solid/rod	⊗ Combo steel	⊗ Air hole
						⊕ Threaded hole
<small>All rights of this document are the property of AKTAS. It is forbidden to use, copy, reproduce, distribute, sell, lease, rent, loan, or otherwise disclose the content of this document without the written permission of AKTAS.</small>						
PART NAME:		A3 370/K02 Metall Kadi Koruk(Altrech)				
		ORDER NO: 140737				