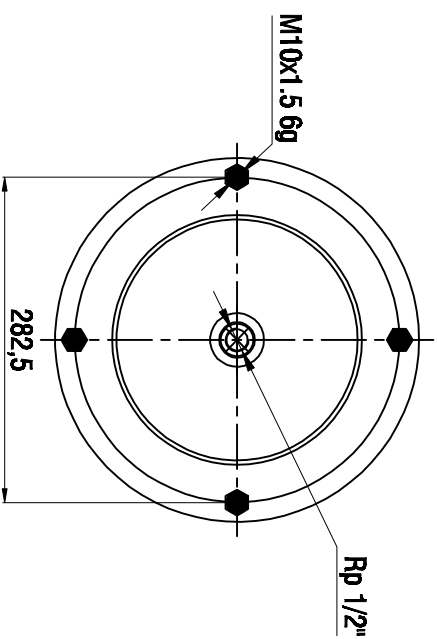
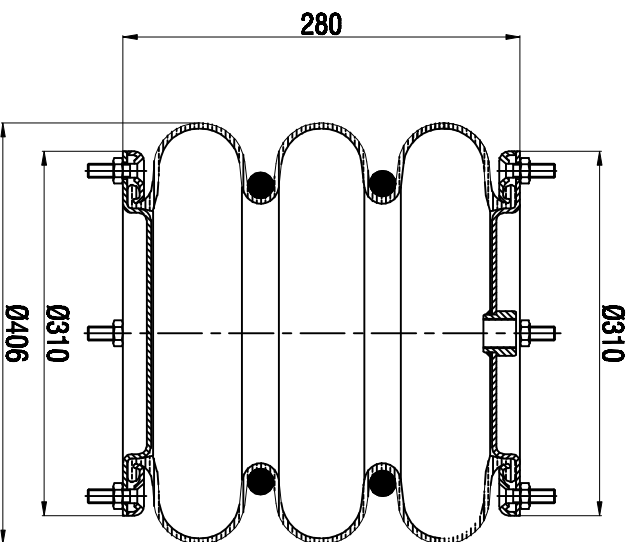
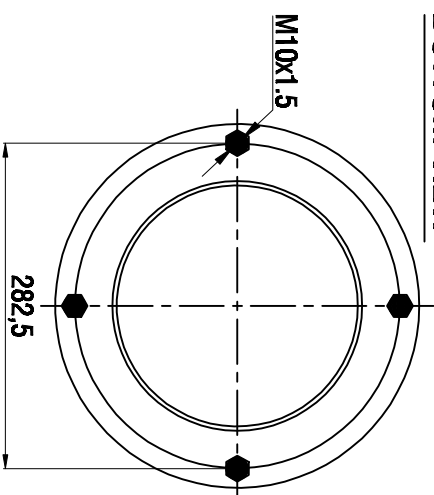


TOP VIEW



BOTTOM VIEW



Drawings are prepared for catalogue study.

1					
0	First drawing	26.05.2014			
1	Changes		Drawn by	Checked by	Approved by
De and made Main drawing		<input checked="" type="checkbox"/> Solid/3d	<input checked="" type="checkbox"/> Combo solid	<input checked="" type="checkbox"/> Air view	<input checked="" type="checkbox"/> Threaded hole
All data of this document are the property of AKTAS. It is forbidden to use, copy, reproduce, disseminate, or to make any modification without the prior written permission of AKTAS.					
PART NAME: A3 400/K06 Hyd Metall Kadi K(Airtech)		ORDER NO: 140756			
WEIGHT: —Kg		