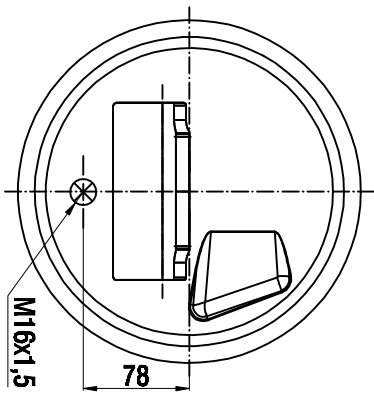
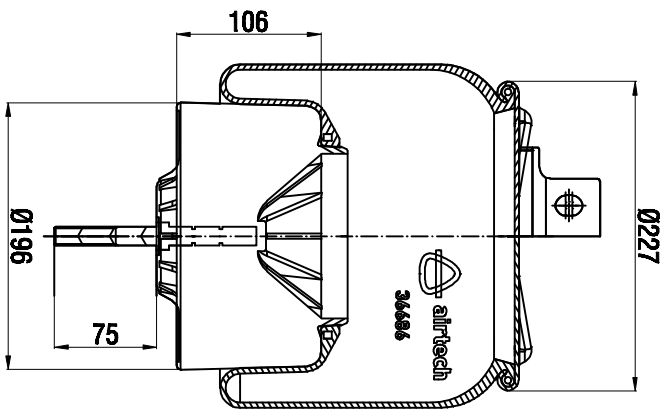
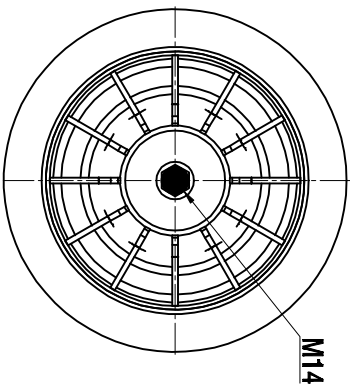


TOP VIEW



BOTTOM VIEW



Drawings are prepared for catalogue study.

1									
0	First drawing	14.08.2016							
Issues	Changes	Date	Drawn by	Checked by	Approved by				
PAIRT	Do not create this drawing	<input checked="" type="checkbox"/> Solid	<input checked="" type="checkbox"/> Combo solid	<input checked="" type="checkbox"/> Air view	<input checked="" type="checkbox"/> Threaded hole				
WEIGHT:	<small>All data of this document are the property of AIRTECH. All rights reserved. No part of this document may be reproduced without the prior written permission of AIRTECH.</small>								
-Kg	PART NAME: 36686 KPP COMPLETE (AIRTECH)				ORDER NO.:131362				