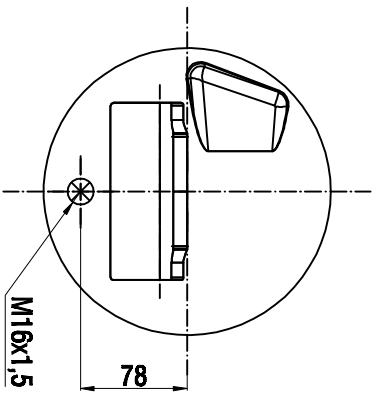
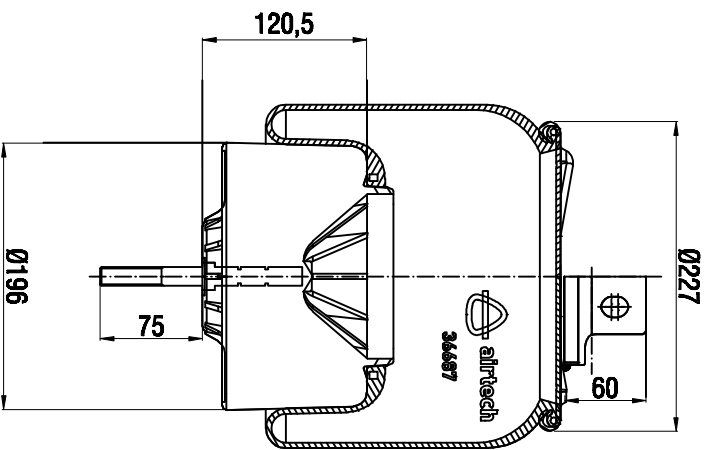
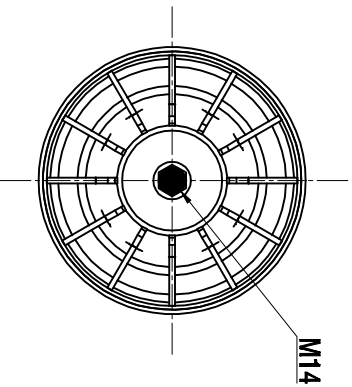


TOP VIEW



BOTTOM VIEW



Drawings are prepared for catalogue study.

1									
0		First drawing		14.08.2016					
Changes				Date		Drawn by		Checked by	
PART		De and made		● Solid		⊗ Combo steel		⊗ Air tech	
WEIGHT:		Main drawing		All data of this document are the property of AKTAS Enerji ve Enerji Sistemleri A.Ş. and shall remain confidential. Any use of this document without the prior written consent of AKTAS Enerji ve Enerji Sistemleri A.Ş. is strictly prohibited.		Approved by		Threated with	
-Kg								ORDER NO:131 422	
PART NAME:		36687 KPP COMPLETE (AIRTECH)						aktas	