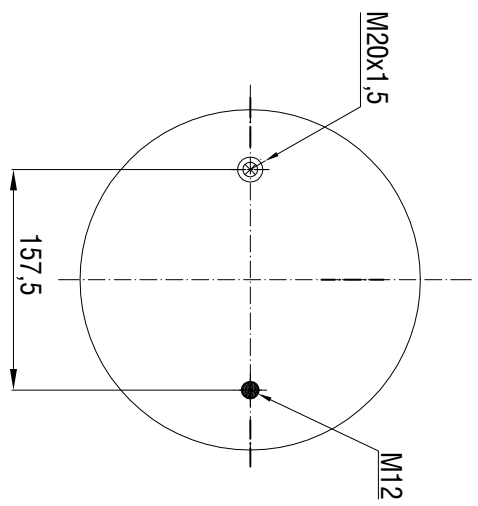
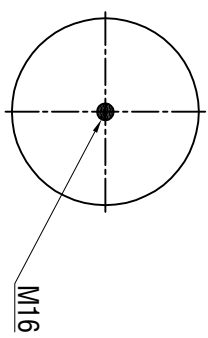


TOP VIEW



BOTTOM VIEW



Drawings are prepared for catalogue study.

Changes					
Issue	0	First drawing	24.05.2016	Drawn by	
Changes				Checked by	
PART WEIGHT:	Do not scale this drawing	Boil/Stud	Combo stud	Air inlet	Threaded hole
...Kg.		<small>All rights of this document are the property of AKTAS A.S. It can not be used copied, reproduced made available to any third party, in whole or part without written permission of AKTAS A.S.</small>			
PART NAME:	34963 P SERVICE ASSEMBLY (AIRTECH)				ORDER NO: 121952