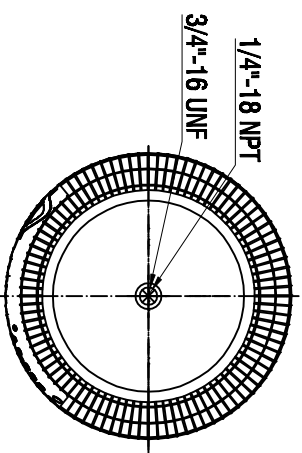
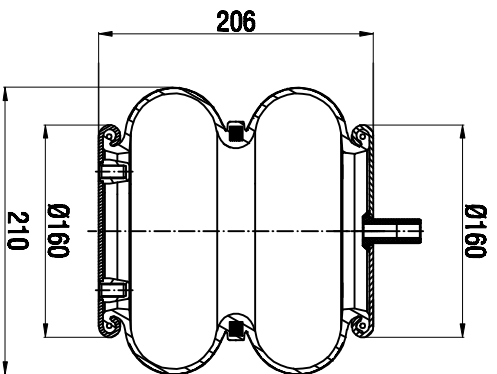
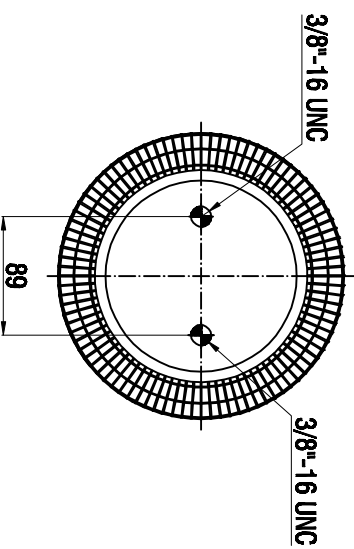


TOP VIEW



BOTTOM VIEW



Drawings are prepared for catalogue study.

1							
0	First drawing	03.03.2017					
1	Changes		Drawn by	Checked by	Approved by		
PART		De and made	<input checked="" type="checkbox"/> Solid	<input checked="" type="checkbox"/> Combo steel	<input checked="" type="checkbox"/> Air valve	<input checked="" type="checkbox"/> Threaded hole	
WEIGHT:		Main drawing	<small>All rights of this document are the property of AKTAS. It is not to be used, copied, reproduced, stored, modified, transmitted, or otherwise used without the prior written permission of AKTAS.</small>				ORDER NO.:16900152
-Kg		PART NAME: A2 220/K23 Metall Kallı Korduk(Airtech)					