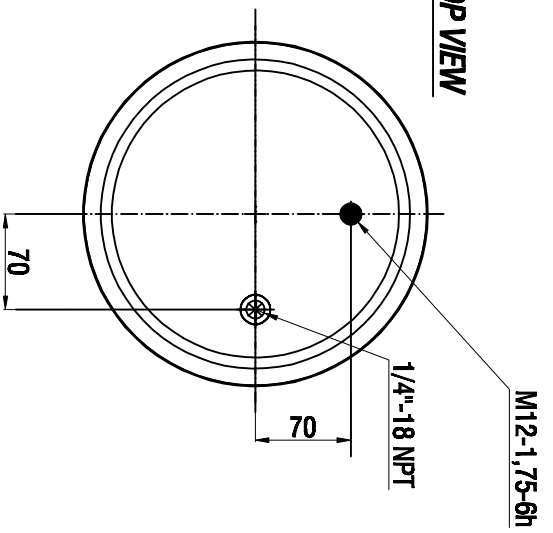
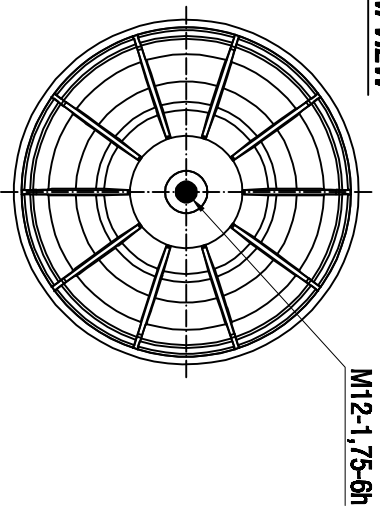


TOP VIEW



BOTTOM VIEW



Drawings are prepared for catalogue study.

Changes	Issue	Date	Drawn by	Checked by	Approved by
0	NEW	14.12.2017			

Do not send this drawing	Do not send	Do not send	Do not send
<input type="checkbox"/>	<input checked="" type="checkbox"/>	<input type="checkbox"/>	<input type="checkbox"/>

PART NAME: 38468 KPP COMPLETE (AIRTECH)	ORDER NO.: 137812