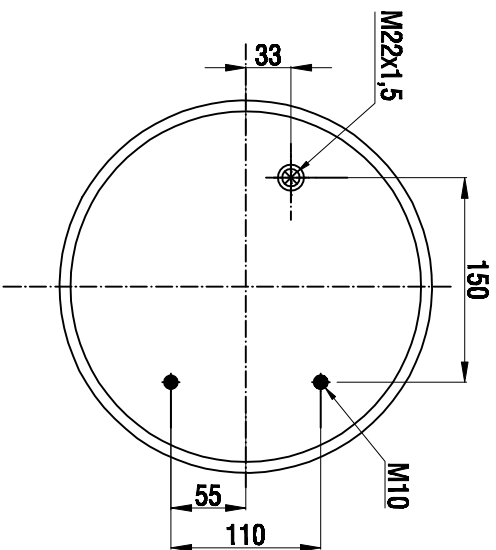
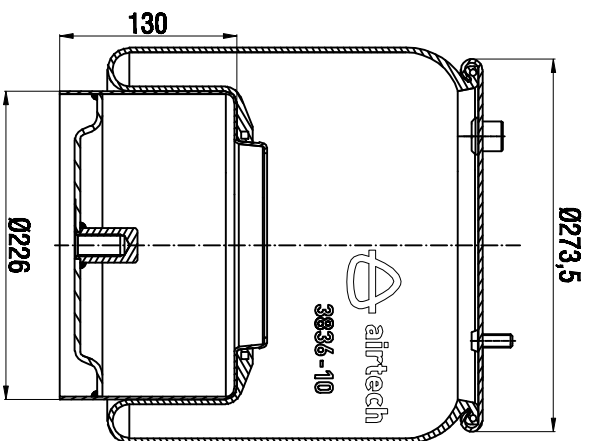
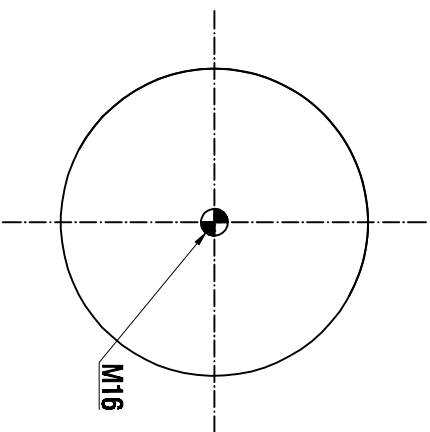


TOP VIEW



BOTTOM VIEW



Drawings are prepared for catalogue study.

0		First drawing	30.05.2016			
1	Issue	Changes	Date	Drawn by	Checked by	Approved by
PAINT		Do not make				
WEIGHT:		Make drawing				
-1kg						
<small>All rights of the document are the property of AIRTECH S.A. You are not allowed to reproduce, distribute, or use the content of this document without the written permission of AIRTECH S.A.</small>						
PART NAME:		3836-10 K COMPLETE (AIRTECH)				ORDER NO:133482
		