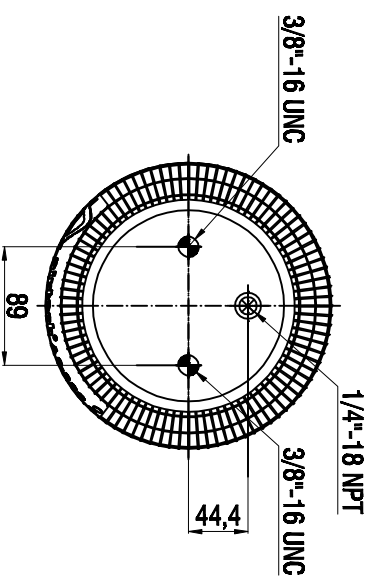
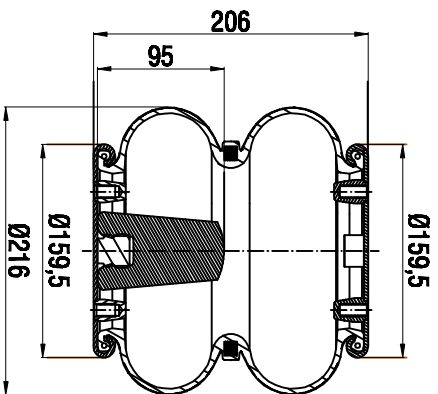
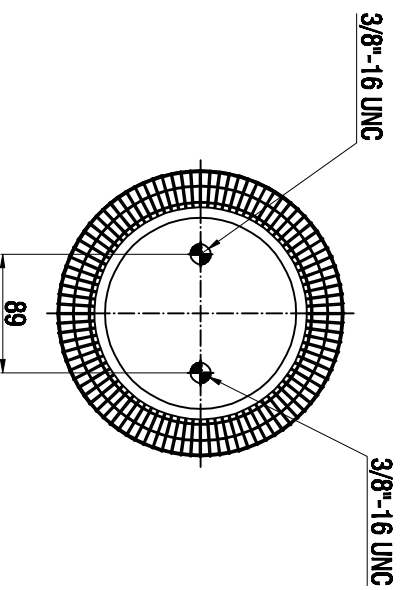


**TOP VIEW**



**BOTTOM VIEW**



Drawings are prepared for catalogue study.

1					
0	First drawing	08.01.2018			
Changes		Date	Drawn by	Checked by	Approved by
De not create this drawing	Red/Red	Circle steel	Air valve	Threaded hole	
<small>All rights of this document are the property of AKTAS. It is forbidden to reproduce, distribute, or use this document in any form without the prior written permission of AKTAS.</small>					
PART NAME: <b>A2 220/K02 Metall Kaldı Koruk(Airtech)</b>		ORDER NO.:16900392			
PART WEIGHT: <b>1kg</b>					