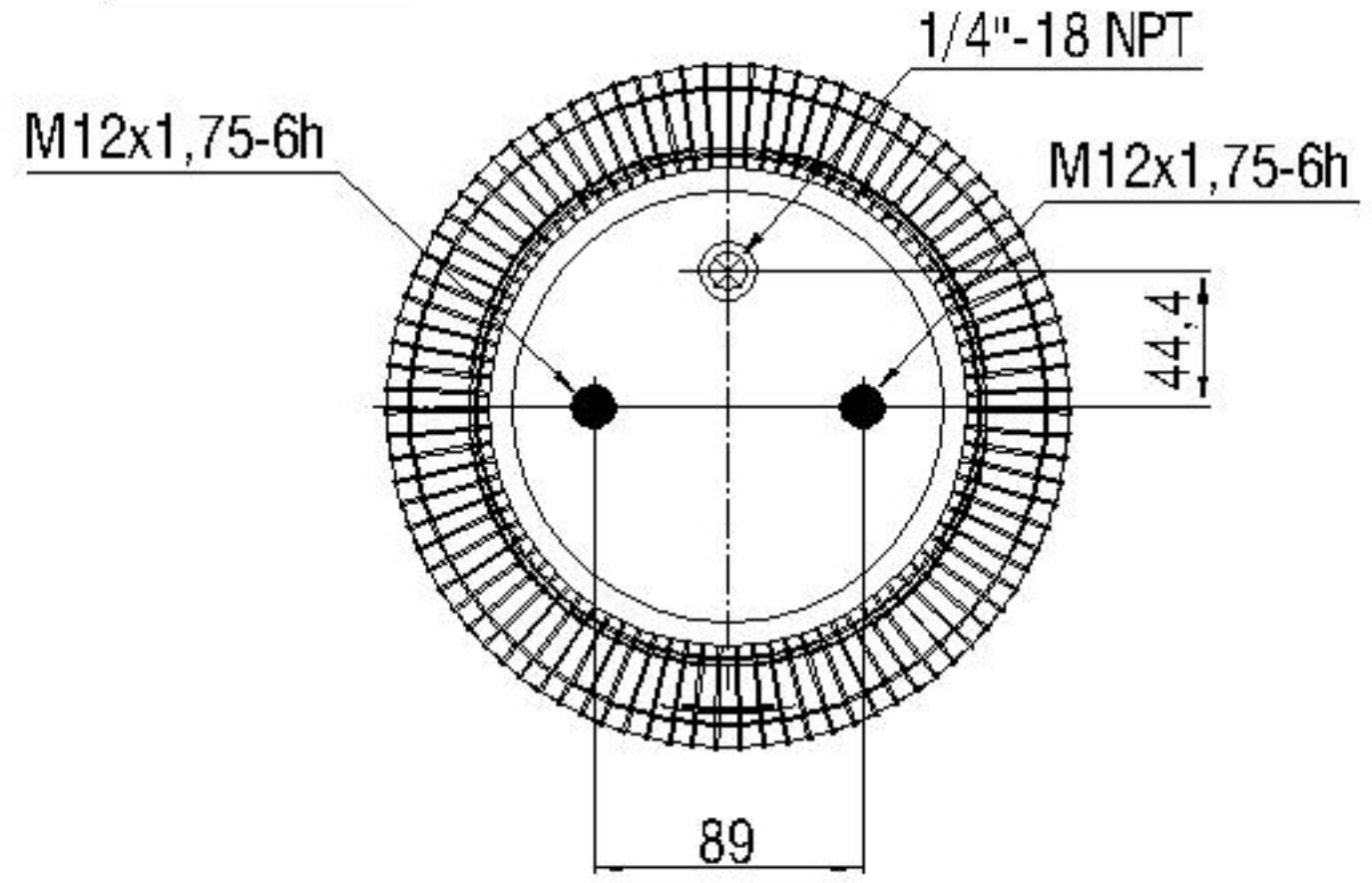
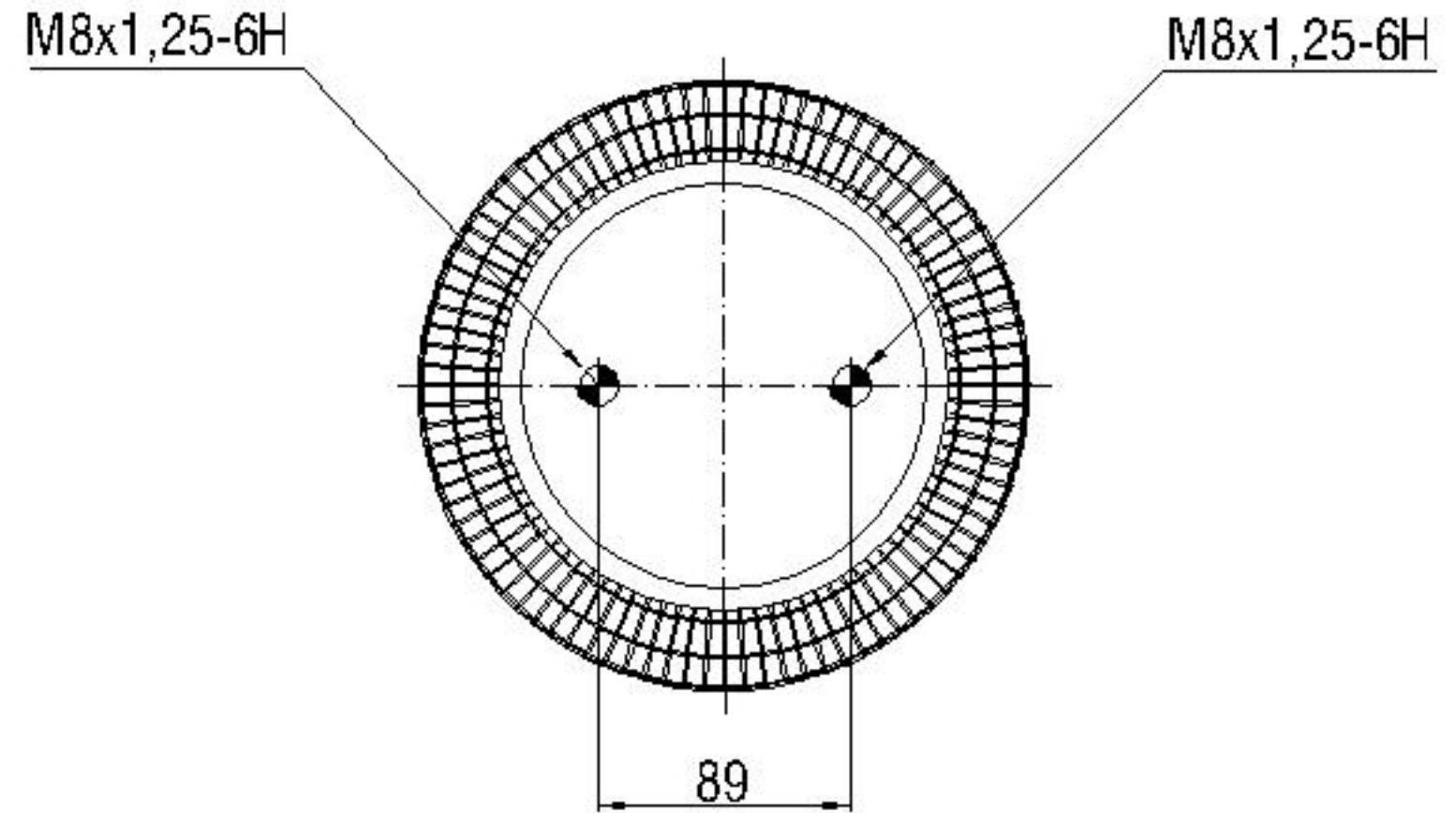


TOP VIEW



BOTTOM VIEW



Drawings are prepared for catalogue study.

Changes	0	First drawing	26.02.2018			
	Issue	Changes	Date	Drawn by	Checked by	Approved by
	<p>PART WEIGHT: ...Kg.</p> <p>Do not scale this drawing</p> <p>● Bolt Stud ⊗ Combo stud ⊗ Air inlet ⊗ Threaded hole</p> <p><small>..All rights reserved. All information is the property of Aktaş. It can not be used or copied without the permission of Aktaş.</small></p>					
PART NAME: A2 225/30-K17 Metallik Katlı K�r�k(Airtech)					ORDER NO: 16900452	
					