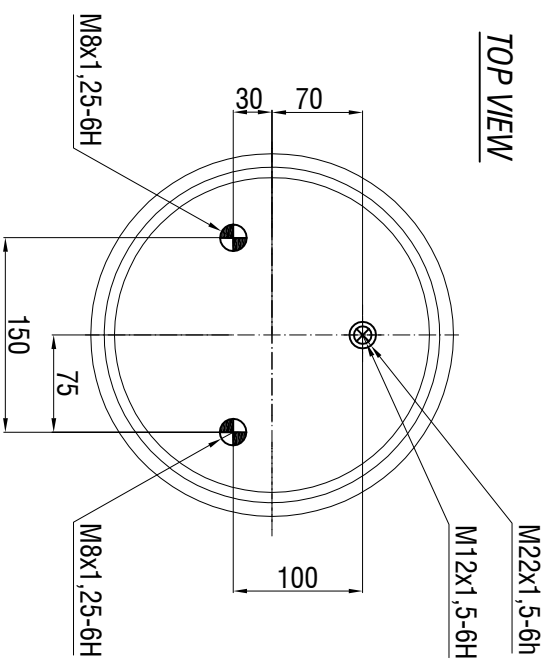
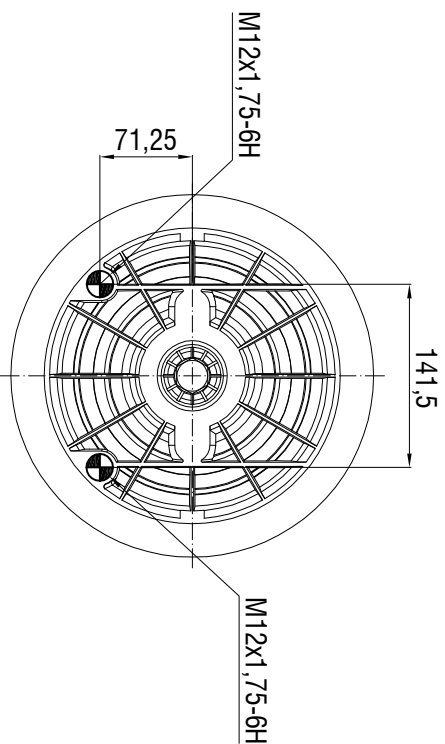


**TOP VIEW**



**BOTTOM VIEW**



Drawings are prepared for catalogue study.

Changes					
Issue	0	First drawing	28.04.2018		
Changes				Drawn by	Checked by
Do not scale this drawing				Approved by	
...Kg		Bolt/Stud	⊗ Combo stud	⊗ Air inlet	⊖ Threaded hole
<small>All rights of this document are the property of AKTAS S.S. It can not be used, copied, reproduced, stored or made in any form (print or electronic) without written permission of AKTAS S.S.</small>					
PART NAME:		32851 KPP COMPLETE (AIRTECH)		ORDER NO.: 138042	