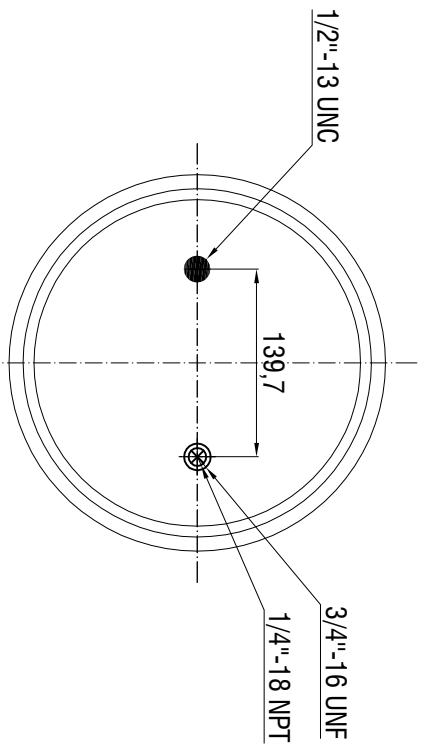
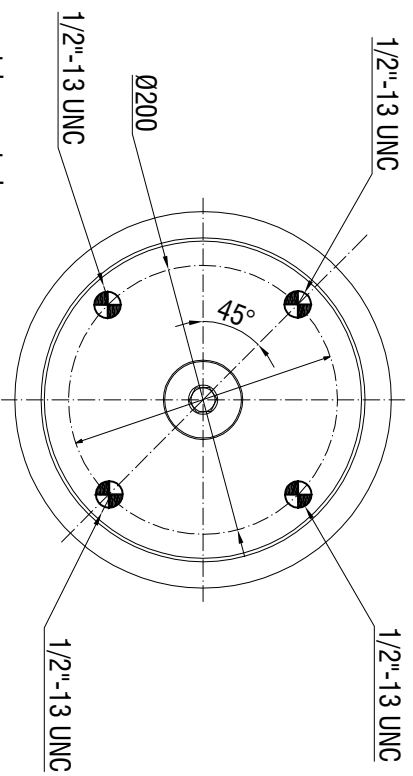


TOP VIEW



BOTTOM VIEW



Drawings are prepared for catalogue study.

Changes		Issue		Date		Drawn by		Checked by		Approved by	
0	NEW	25.04.2017									
PART WEIGHT:		Do not scale this drawing		Bol/Stud		Combo stud		Air Inlet		Threaded hole	
<small>All rights of this document are the property of AKTAS S.S. It cannot be used copied reproduced made available to any third party in whole or part without written permission of AKTAS S.S.</small>											
PART NAME: 38723 K COMPLETE (AIRTECH)								ORDER NO: 138012			

