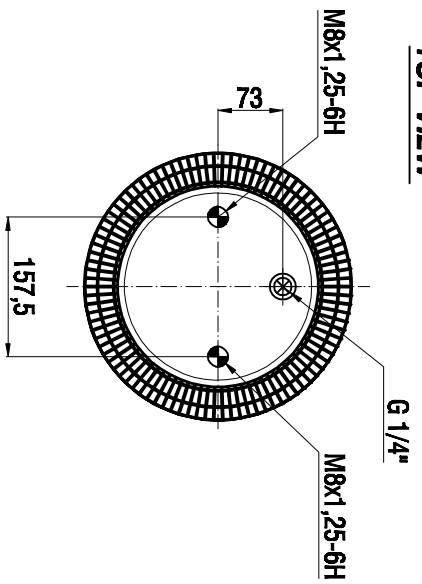
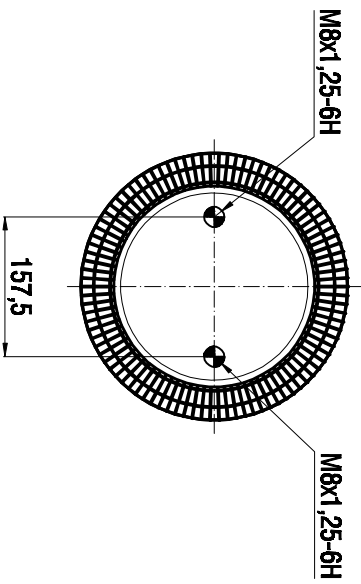


TOP VIEW



BOTTOM VIEW



Drawings are prepared for catalogue study.

1							
0	First drawing	16.05.2018					
PART		Changes	Date	Drawn by	Checked by	Approved by	
WEIGHT:		Do not create this drawing	● Solid	⊗ Composite steel	⊗ Air hole	⊕ Threaded hole	
<small>All rights of this document are the property of AKTAS. It is forbidden to reproduce, copy, distribute, or use this document without the written permission of AKTAS.</small>							ORDER NO.:16900572
PART NAME:		A2 300/K06 Metal Kolu Kuruk(Arıcılı)				