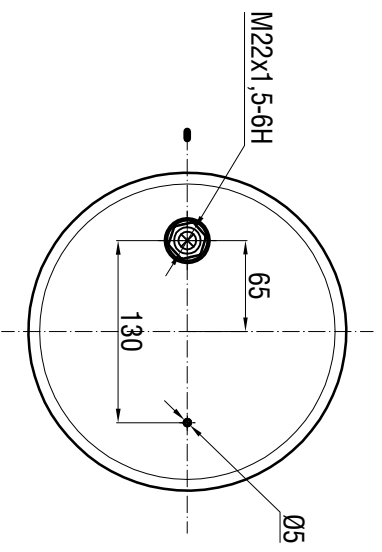
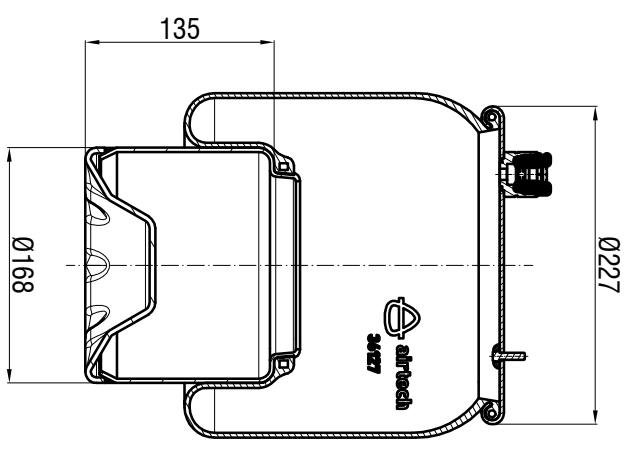
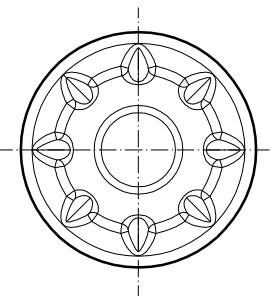


TOP VIEW



BOTTOM VIEW



Drawings are prepared for catalogue study.

Changes					
Issue	Changes	Date	Drawn by	Checked by	Approved by
0	NEW	09.07.2018			
PART WEIGHT: ...kg		Do not scale this drawing		Approved by	
		<input checked="" type="checkbox"/> Bolt/Stud <input checked="" type="checkbox"/> Combo stud <input checked="" type="checkbox"/> Air inlet <input checked="" type="checkbox"/> Threaded hole			
PART NAME: 36127 K COMPLETE (AIRTECH)				ORDER NO:138102	

All rights of this document are the property of AKTAS A.S. It cannot be used copied, reproduced, made available to any third party in whole or part without written permission of AKTAS A.S.